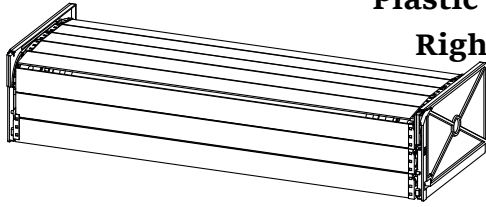


“Instruction For Glass Rolling System Installation”

“Plastic Side Cover

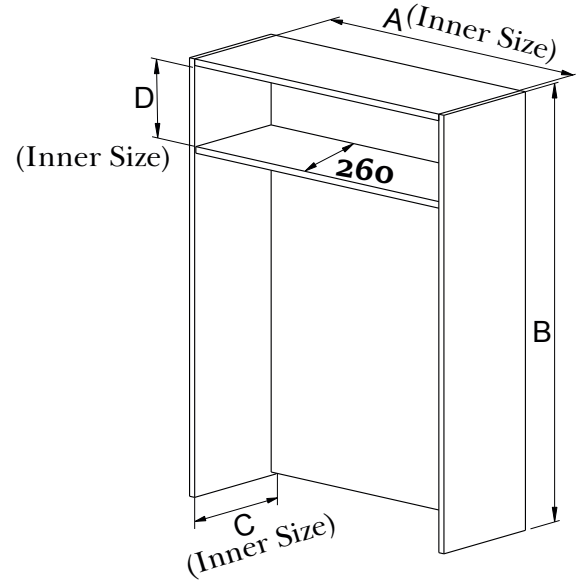
Left Side”



“Plastic Side Cover

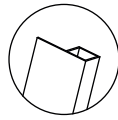
Right Side”

“Rolling System With Glass”



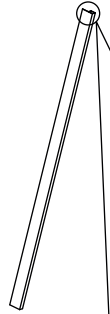
“Left Side

Guide Profile”



“Right Side

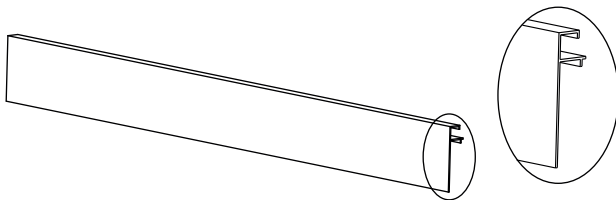
Guide Profile”



Cabinet Size List

Size	A	B	C	D
450	414	1200	280	185
		1400		
600	564	1200	280	185
		1400		
900	864	1200	280	185
		1400		

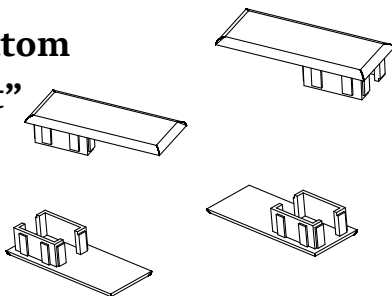
“Note:- Do Not Cut Profile From Top Side.”



“Front Aluminum Cover”

“Top & Bottom

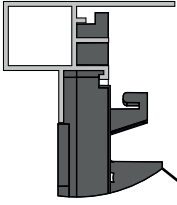
Cap Left”



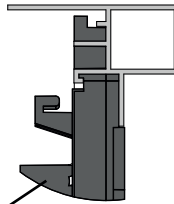
“Top & Bottom

Cap Right”

Left Side



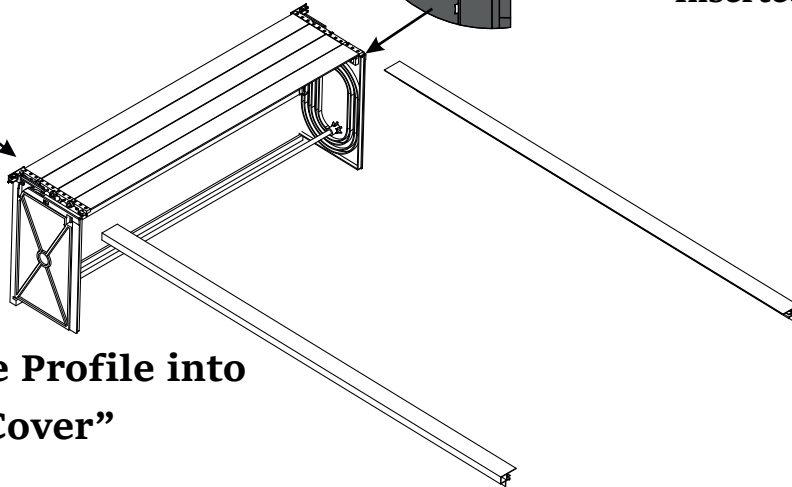
Right Side



Step :- 1

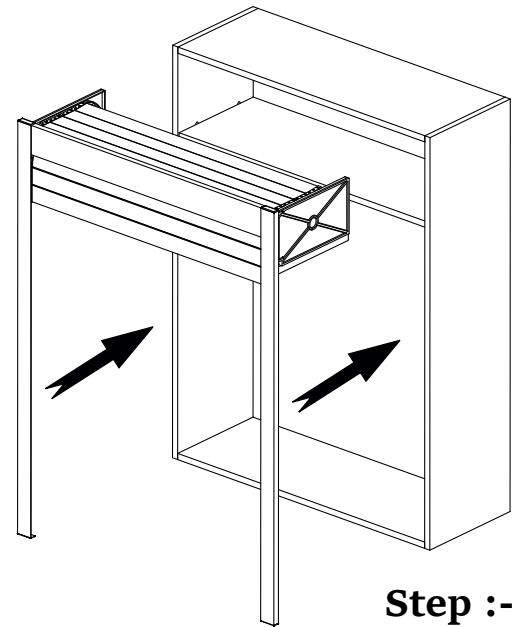
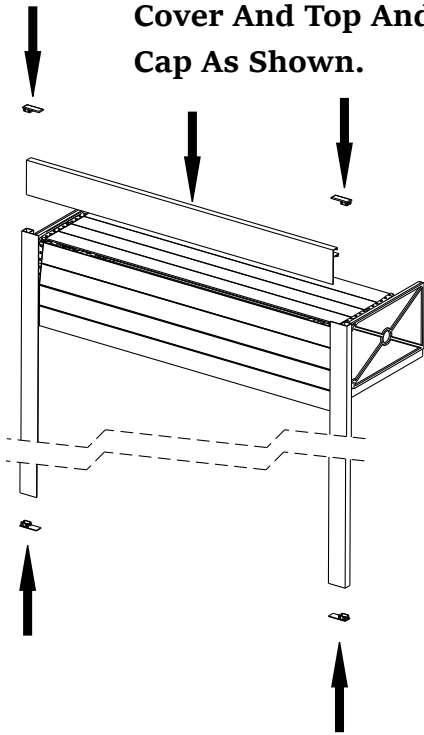
“Vertical Aluminium Profile To Be Inserted In The “Right And Left” Side Of Plastic Cover”

“Insert Guide Profile into Plastic Side Cover”



Step :- 2

Fix Front Aluminum Cover And Top And Bottom Cap As Shown.



Step :- 3

After Installing Left & Right Aluminum Profile, Insert The Rolling System In Cabinet As Shown In Diagram.

Step :- 4

After Insert Rolling System Into Cabinet, Screw Horizontal Profile With Cabinet.

